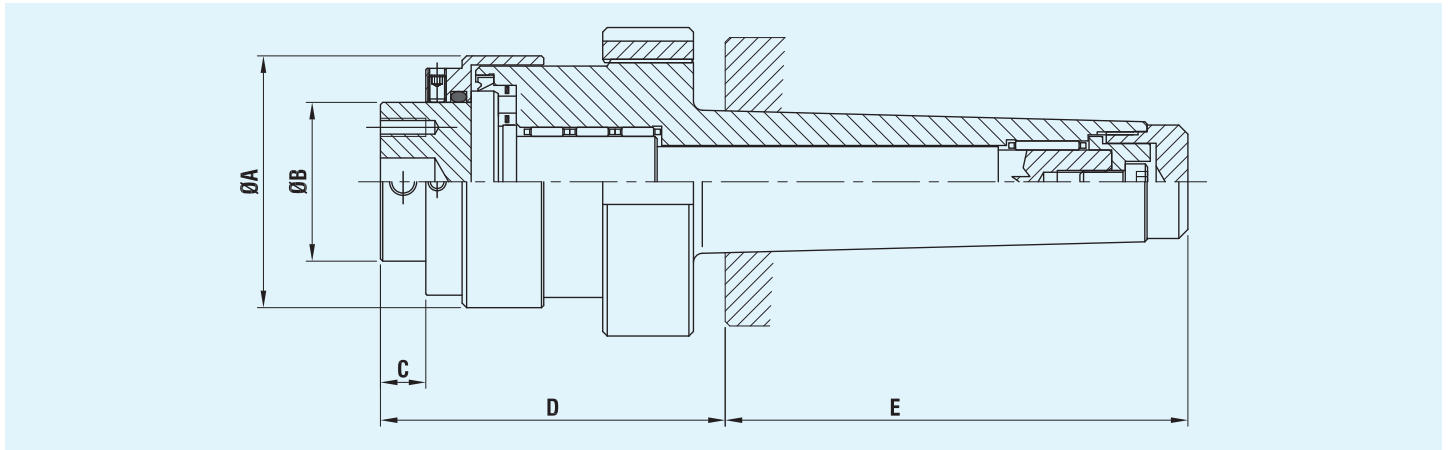


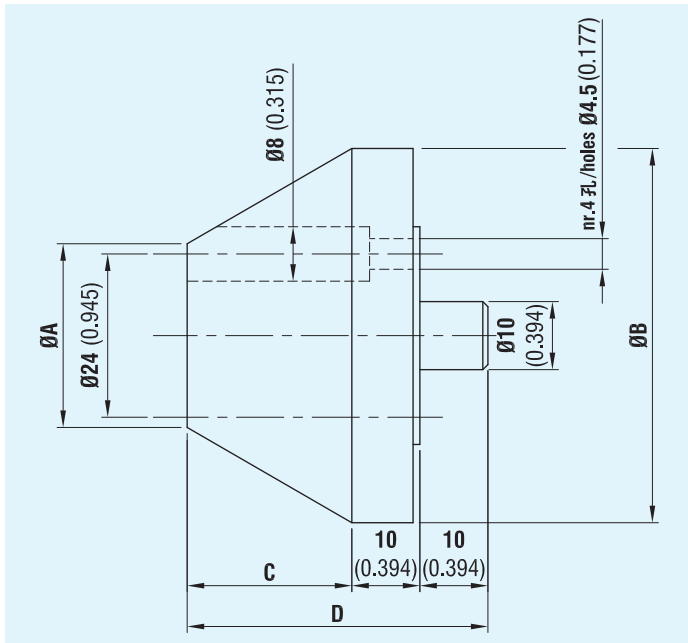
CENTER CARRYING LIVE CENTERS FOR GRINDING



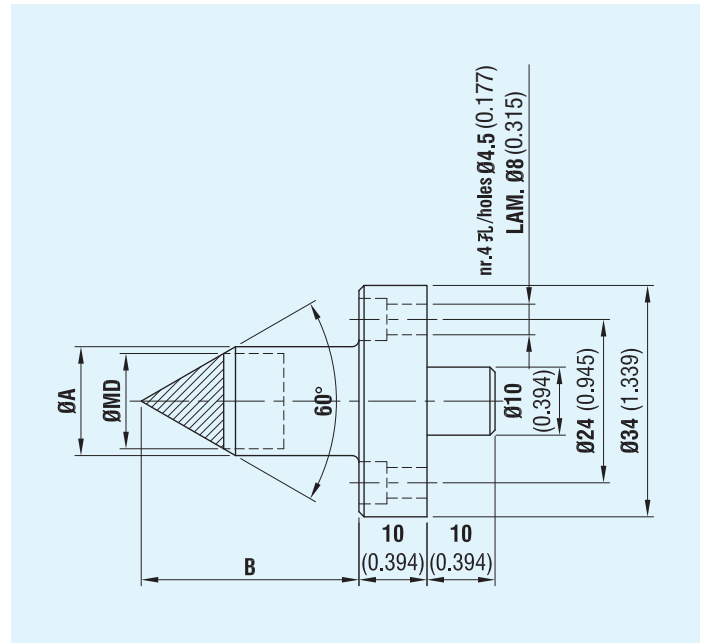
油脂润滑系统 - 代码 Grease lubrication system - code	油雾润滑系统 - 代码 Oil mist lubrication system - code	莫氏锥度 Morse Taper	尺寸 mm (英寸) / Dimensions in mm. (inc.)				
			Ø A	Ø B	C	D	E
010925101		CM3/MT3	49 (1.929)	32 (1.260)	10 (0.394)	68.5 (2.697)	81.7 (3.217)
010925102	010921154	CM4/MT4	55.5 (2.185)	35 (1.378)	10 (0.394)	76 (2.992)	102 (4.016)
010925103	010921155	CM5/MT5	65 (2.559)	48 (1.890)	10 (0.394)	79 (3.110)	127 (5.000)

与承载活顶尖 MT3 和 MT4 的顶尖配套的顶尖

CENTERS FOR CENTER CARRYING LIVE CENTER MT3 AND MT4



代码 Code	尺寸 mm (英寸) / Dimensions in mm. (inc.)			
	Ø A	Ø B	C	D
030392005	7 (0.276)	34 (1.339)	23.4 (0.921)	43.4 (1.709)
030392006	27 (1.063)	55 (2.165)	24.2 (0.953)	44.2 (1.740)
030392007	40 (1.575)	68 (2.677)	24.2 (0.953)	44.2 (1.740)
030392008	60 (2.362)	88 (3.465)	24.2 (0.953)	44.2 (1.740)



代码 Code	尺寸 mm (英寸) / Dimensions in mm. (inc.)		
	Ø A	Ø MD	B
030392001	8 (0.315)	6 (0.236)	25 (0.984)
030392002	10 (0.394)	8 (0.315)	27 (1.063)
030392003	12 (0.472)	10 (0.394)	29 (1.142)
030392004	16 (0.630)	14 (0.551)	32 (1.260)

与活顶尖 MT5 配套的顶尖
按需提供

CENTERS FOR LIVE CENTERS MT5
AVAILABLE ON REQUEST