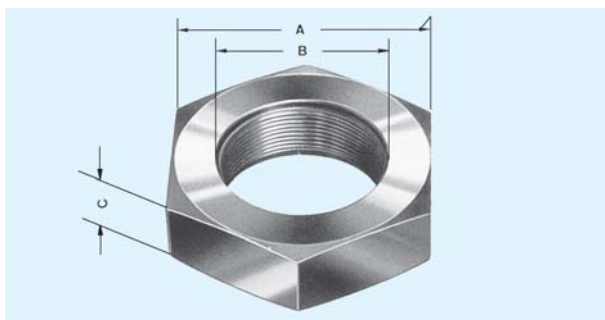


* cuspidi prolungata
* extended center

Codice Code	Cono morse Morse taper	Dimensioni in mm. (pollici) / Dimensions in mm. (inc.)							
		A	C	Ø D	Ø E	Ø F	G	H	I
122100926	CM3/MT3	110 (4.331)	-	-	-	42 (1.654)	10 (0.394)	10 (0.394)	M48 X 1.5
122100927	CM4/MT4	141 (5.551)	-	-	-	42 (1.654)	18 (0.709)	16 (0.630)	M48 X 1.5
122100928	CM5/MT5	176 (6.929)	-	-	-	42 (1.654)	18 (0.709)	16 (0.630)	M48 X 1.5
*122114005	-	-	62 (2.441)	15 (0.591)	24 (0.945)	-	-	-	-

CUSPIDI INTERCAMBIABILI / INTERCHANGEABLE CENTERS

<p>FR 94 cod. 030315305</p>	<p>FR 97 ø 7 cod. 030318305</p>	<p>FR 98 cod. 030319305</p>
<p>FR 95 cod. 030316305</p>	<p>FR 97 ø 15 cod. 030318315</p>	<p>FR 98-A cod. 030319315</p>
<p>FR 96 cod. 030317305</p>	<p>FR 99 cod. 030320305</p>	

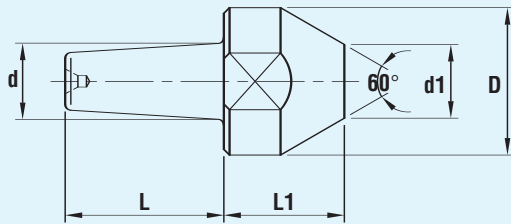


**GHIERA DI ESTRAZIONE PER CONTROPUNTE FISSE
EXTRACTION NUT FOR DEAD CENTERS**

Codice Code	Dimensioni in mm. (pollici) / Dimensions in mm. (inc.)		
	A	B	C
121249004	50 (1.969)	M36 X 1.5	20 (0.787)
121249105	60 (2.362)	M48 X 1.5	20 (0.787)
121249206	80 (3.150)	M69 X 2	28 (1.102)

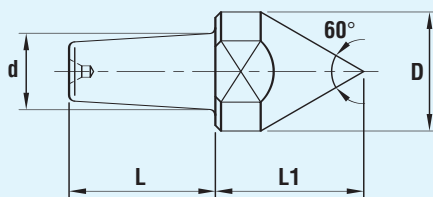
“SERIE 65-80-85” - “65-80-85 SERIES”

FR 94



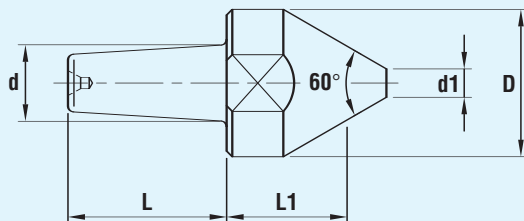
Codice Code	Per contropunta con cono For live center with taper	Dimensioni in mm. / Dimensions in mm.				
		D	L ₁	L	d	d ₁
030315103	CM2 / MT2	26	21	28	13.5	13
030315103	CM3 / MT3	26	21	28	13.5	13
030315204	CM4 / MT4	29	22	29	15.4	15
030315305	CM5 / MT5	34	26.5	30	20.3	15
030315406	CM6 / MT6	43	27	40	28	23

FR 95



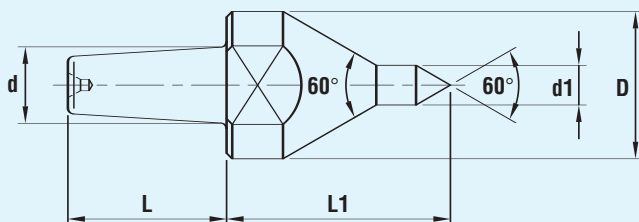
Codice Code	Per contropunta con cono For live center with taper	Dimensioni in mm. / Dimensions in mm.			
		D	L ₁	L	d
030316002	CM2 / MT2	21	26	28	13.5
030316103	CM3 / MT3	24	32.5	28	13.5
030316204	CM4 / MT4	29	35	29	15.4
030316305	CM5 / MT5	34	39.5	30	20.3
030316406	CM6 / MT6	39	47	40	28

FR 96



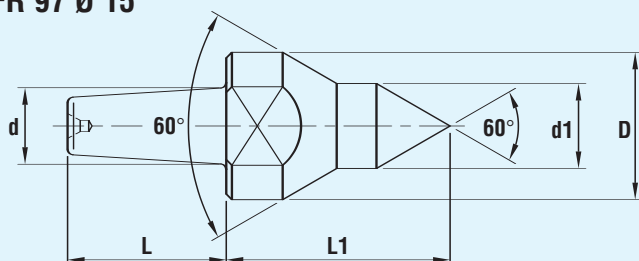
Codice Code	Per contropunta con cono For live center with taper	Dimensioni in mm. / Dimensions in mm.				
		D	L ₁	L	d	d ₁
030317103	CM2 / MT2	26	28	28	13.5	5
030317103	CM3 / MT3	26	28	28	13.5	5
030317204	CM4 / MT4	29	30	29	15.4	6
030317305	CM5 / MT5	34	33.5	30	20.3	7
030317406	CM6 / MT6	43	36	40	28	13

FR 97 Ø 7



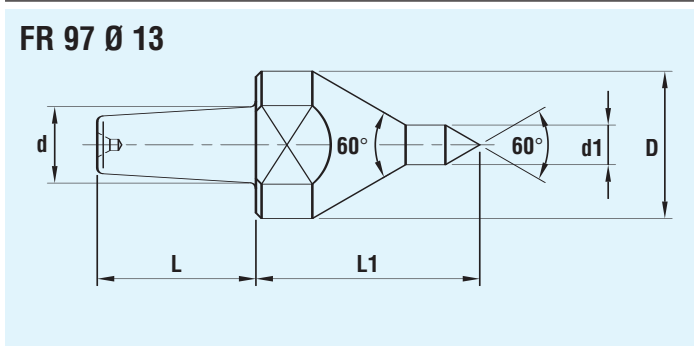
Codice Code	Per contropunta con cono For live center with taper	Dimensioni in mm. / Dimensions in mm.				
		D	L ₁	L	d	d ₁
030318103	CM2 / MT2	24	39.5	28	13.5	7
030318103	CM3 / MT3	24	39.5	28	13.5	7
030318204	CM4 / MT4	24	42	29	15.4	7
030318305	CM5 / MT5	24	46	30	20.3	7

FR 97 Ø 15

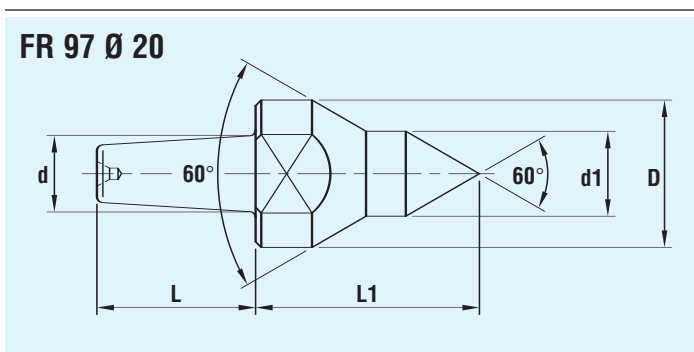


Codice Code	Per contropunta con cono For live center with taper	Dimensioni in mm. / Dimensions in mm.				
		D	L ₁	L	d	d ₁
030318113	CM2 / MT2	24	39.5	28	13.5	15
030318113	CM3 / MT3	24	39.5	28	13.5	15
030318214	CM4 / MT4	24	42	29	15.4	15
030318315	CM5 / MT5	24	46	30	20.3	15

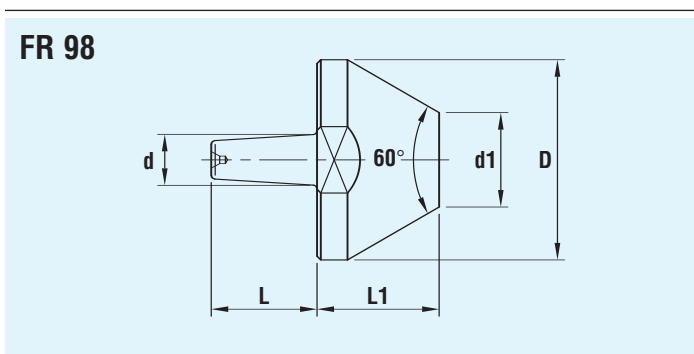
“SERIE 65-80-85” - “65-80-85 SERIES”



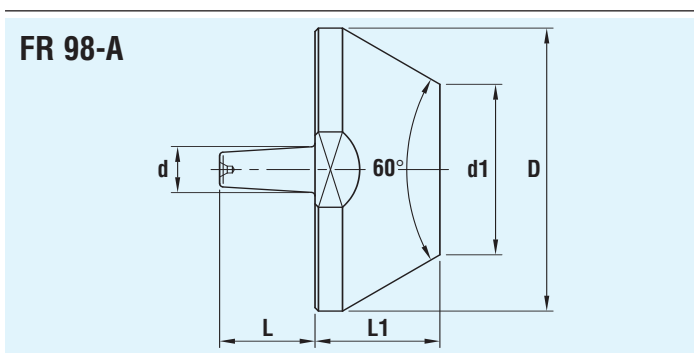
Codice Code	Per contropunta con cono For live center with taper	Dimensioni in mm. / Dimensions in mm.				
		D	L ₁	L	d	d ₁
030318406	CM6 / MT6	34	61	40	28	13



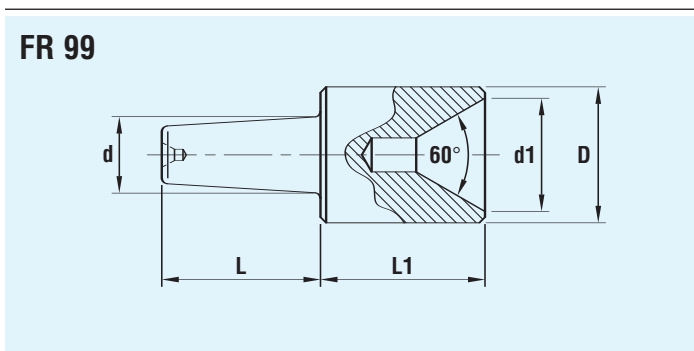
Codice Code	Per contropunta con cono For live center with taper	Dimensioni in mm. / Dimensions in mm.				
		D	L ₁	L	d	d ₁
030318416	CM6 / MT6	34	61	40	28	20



Codice Code	Per contropunta con cono For live center with taper	Dimensioni in mm. / Dimensions in mm.				
		D	L ₁	L	d	d ₁
030319103	CM2 / MT2	53	32.3	28	13.5	25
030319103	CM3 / MT3	53	32.3	28	13.5	25
030319204	CM4 / MT4	53	32.3	29	15.4	25
030319305	CM5 / MT5	53	32.3	30	20.3	25
030319406	CM6 / MT6	73	35	40	28	42



Codice Code	Per contropunta con cono For live center with taper	Dimensioni in mm. / Dimensions in mm.				
		D	L ₁	L	d	d ₁
030319113	CM2 / MT2	83	36.6	28	13.5	50
030319113	CM3 / MT3	83	36.6	28	13.5	50
030319214	CM4 / MT4	83	36.6	29	15.4	50
030319315	CM5 / MT5	83	36.6	30	20.3	50
030319416	CM6 / MT6	103	36.6	40	28	70



Codice Code	Per contropunta con cono For live center with taper	Dimensioni in mm. / Dimensions in mm.				
		D	L ₁	L	d	d ₁
030320103	CM2 / MT2	24	29	28	13.5	20
030320103	CM3 / MT3	24	29	28	13.5	20
030320204	CM4 / MT4	27	32	29	15.4	22
030320305	CM5 / MT5	34	40	30	20.3	22
030320406	CM6 / MT6	48	46	40	28	40